



Victoria Government Gazette

By Authority of Victorian Government Printer

No. G 11 Thursday 14 March 2019

www.gazette.vic.gov.au

GENERAL

TABLE OF PROVISIONS

Private Advertisements	
Estates of Deceased Persons	
A. B. Natoli Pty	417
Argent Law	417
Aughtersons	417
Beck Legal	417
Beckwith Cleverdon Rees	417
Borchard & Moore	417
Devenish	418
Hunt & Hunt	418
I. Glenister & Associates	418
Ingpen & Bent	418
KCL Law	418
McKean Park Lawyers	419
MCL Legal	419
MST Lawyers	419
Madgwicks Lawyers	419
Mahons with Yuncken & Yuncken	420
Marsh & Maher Richmond Bennison	420
Maurice Blackburn Lawyers	420
Moores	420
Parke Lawyers	420
Prior Law	421
Stidston Warren Lawyers	421
Taits Legal	421
Government and Outer Budget Sector	
Agencies Notices	422
Obtainables	436

Advertisers Please Note

As from 14 March 2019

The last Special Gazette was No. 89 dated 13 March 2019.

The last Periodical Gazette was No. 1 dated 16 May 2018.

How To Submit Copy

- See our webpage www.gazette.vic.gov.au
 - or contact our office on 8523 4601
between 8.30 am and 5.30 pm Monday to Friday
-

PRIVATE ADVERTISEMENTS

Re: ULF GLANTZ, in the Will called Ulf Kurt Gustav Glantz, late of 2/14 Halsey Street, Ferntree Gully, Victoria, chef, deceased.

Creditors, next-of-kin and others having claims in respect of the estate of the deceased, who died on 26 December 2018, are required by the trustee, Michael Val O'Dowd, to send particulars to the trustee, care of the undermentioned solicitors, by a date not later than two months from the date of publication hereof, after which date the trustee may convey or distribute the assets, having regard only to the claims of which he has notice.

A. B. NATOLI PTY, solicitors,
24 Cotham Road, Kew 3101.

Re: BERYL MAY HAMES, late of 111–117 Wantirna Road, Ringwood, Victoria, gentlelady, deceased.

Creditors, next-of-kin and others having claims in respect of the estate of the deceased, who died on 30 October 2018, are required by the trustee, Kevin Lindsay Hames, to send particulars to the trustee, care of the undermentioned solicitors, by a date not later than two months from the date of publication hereof, after which date the trustee may convey or distribute the assets, having regard only to the claims of which he has notice.

A. B. NATOLI PTY, solicitors,
24 Cotham Road, Kew 3101.

IRIS MAY KAY, late of Apartment 115, Menzies Malvern, 1286 High Street, Malvern, Victoria 3144, retired nurse, deceased.

Creditors, next-of-kin and others having claims in respect of the estate of the abovenamed deceased, who died on 18 December 2018, are required by the trustees, Judith Margaret Kay and Andrew Somerville Kay, to send particulars of their claims to the undermentioned firm by 18 May 2019, after which date the said trustees may convey or distribute the assets and estate, having regard only to the claims of which they then have notice.

Dated 4 March 2019

ARGENT LAW,
Ground Floor, 2 Stawell Street
Richmond, Victoria 3121.
Ph: (03) 9571 7444, Fax: (03) 9571 1059.
HA:20192345. Contact Helen Adoranti.

JOHN MARSHALL HALLIGAN, late of 14 Boronia Street, Newcomb, Victoria 3129.

Creditors, next-of-kin and others having claims in respect of the estate of the deceased, who died on 9 November 2017, are required by the personal representative, David Theodore Robertson, to send particulars to him, care of the undermentioned solicitors, by 14 May 2019, after which date the personal representative may convey or distribute the assets, having regard only to the claims of which he then has notice.

AUGHTERSONS,
267 Maroondah Highway, Ringwood 3134.

Re: ERIC JOHN ROTHACKER, deceased, late of 208 Holdsworth Road, Bendigo, Victoria.

Creditors, next-of-kin and others having claims in respect of the estate of the deceased, who died on 13 October 2018, are required by the trustee, Peter John Rothacker, care of Beck Legal, 177 View Street, Bendigo, Victoria, to send particulars to the trustee by 9 May 2019, after which date the trustee may convey or distribute the assets, having regard only to the claims of which the trustee has notice.

BECK LEGAL, solicitors,
177 View Street, Bendigo, Victoria 3550.

BETTY EMILY YOUNG, late of Hedley Sutton Community, 19 Canterbury Road, Camberwell, in the State of Victoria, retired, deceased.

Creditors, next-of-kin and others having claims in respect of the estate of the abovenamed deceased, who died on 16 February 2019, are required to send particulars thereof to the executors, care of the undermentioned solicitors, by 15 May 2019, after which date the executors may convey or distribute the assets, having regard only to the claims of which they then have notice.

BECKWITH CLEVERDON REES, solicitors,
294 Collins Street, Melbourne 3000.

MARY PRIMROSE SHEDDEN late of 41–43 Fintonia Road, Noble Park, Victoria 3174, retired, deceased.

Creditors, next-of-kin and others having claims in respect of the Will/estate of the abovenamed deceased, who died on 13 September 2018, are required by the executor,

Christopher Shedden, care of 44 Douglas Street, Noble Park, Victoria 3174, to send particulars of their claims to them by 7 June 2019, after which date the executor may convey or distribute the assets and the estate, having regard only to the claims of which they then have notice. Probate was granted in Victoria on 30 January 2019.

Dated 6 March 2019

BORCHARD & MOORE,
44 Douglas Street, Noble Park, Victoria 3174.
PO Box 239, Noble Park, Victoria 3174.
DX 17524 Dandenong.
Ph: (03) 9546 8155, Fax: (03) 9546 8424.
NV:186507. Contact Nadya Voloshina.

FRANCES ELIZABETH LUKE, late of 228 Hull Road, Mooroolbark, Victoria, retired, deceased.

Creditors, next-of-kin and others having claims in respect of the estate of the deceased, who died on 21 January 2019, are required by the executors, Rodney Andrew Luke and Alison Jane Gehrig, to send particulars of their claims to the undermentioned solicitors within 60 days from the date of publication of this notice, after which date the executors may convey or distribute the assets, having regard only to the claims of which the executors then have notice.

DEVENISH, lawyers,
23 Ringwood Street, Ringwood, Victoria 3134.

Trustee Act 1958

SECTION 33 NOTICE

Notice to Claimants

JILL ANNETTE LYNCH, late of Unit 17, 404 Cardigan Street, Carlton, widow, deceased.

Creditors, next-of-kin and others having claims in respect of the estate of the deceased, who died on 19 December 2018, are required by Equity Trustees Limited of Level 1, 575 Bourke Street, Melbourne, Victoria, the executor of the estate of the deceased, to send particulars of their claims by 14 May 2019, after which date the executor may convey or distribute the assets, having regard only to the claims of which it then has notice.

HUNT & HUNT,
Level 5, 114 William Street, Melbourne,
Victoria 3000.
Ref: 962607.

NOTICE OF CLAIMANTS UNDER TRUSTEE ACT 1958

(SECTION 33 NOTICE)

Notice to Claimants

MYRTLE JUNE PRESTON, late of Heritage Lakes, 879 Plenty Road, South Morang, Victoria, saleswoman, deceased.

Creditors, next-of-kin and others having claims in respect of the estate of the deceased, who died on 21 October 2018, are required by the executors, Trevor Allistair Preston, Keith David Preston and Dawn Alison De Haan, to send particulars of their claims to the executors, care of the undermentioned solicitors, by no later than 7 August 2019, after which date the executors may convey or distribute the assets, having regard only to the claims of which the executors then have notice.

I. GLENISTER & ASSOCIATES, solicitors,
421 Bell Street, Pascoe Vale, Victoria 3044.

JEANETTE LILLIAN SMITHSON, late of Estia Health, 6A Perrett Street, Grovedale, retired hairdresser, deceased.

Creditors, next-of-kin and others having claims in respect of the estate of the abovenamed deceased, who died on 5 September 2018, are required by the trustees, Andrew Stuart Thomson and Sharon Jean Thomson, to send particulars of their claims to the trustees, care of the undermentioned legal practitioners, by 11 June 2019, after which date the trustees may convey or distribute the assets, having regard only to the claims of which they then have notice.

INGPEN & BENT,
legal practitioners for the trustees,
95 Yarra Street, Geelong 3220.

DAVID BLOOM, late of 10 A'Beckett Street, Kew, Victoria 3101, musician, deceased.

Creditors, next-of-kin and all others having claims in respect of the estate of the deceased, who died on 15 July 2018, are required by the executors, Joshua Webster Bloom, Sen Amy Bloom and Barry Newton Novy, to send particulars of such claims to the executor, care of the undermentioned solicitors, within 60 days from the publication hereof, after which date the executor will distribute the assets, having regard only to the claims of which the executor has notice.

KCL LAW,
Level 4, 555 Lonsdale Street, Melbourne 3000.
sfrey@kcllaw.com.au

BELLA KINDERMAN, late of 19 Elizabeth Street, Elsternwick, Victoria 3185, home duties, deceased.

Creditors, next-of-kin and all others having claims in respect of the estate of the deceased, who died on 6 June 2017, are required by the executors, Peter Kinderman and Harry Robert Kinderman (also known as Robert Kinderman), to send particulars of such claims to the executors, care of the undermentioned solicitors, within 60 days from the publication hereof, after which date the executors will distribute the assets, having regard only to the claims of which the executors have notice.

KCL LAW,
Level 4, 555 Lonsdale Street, Melbourne 3000.

MAX MENHARD KINDERMAN, also known as Max Manhard Kinderman, late of 19 Elizabeth Street, Elsternwick, Victoria 3185, manufacturer, deceased.

Creditors, next-of-kin and all others having claims in respect of the estate of the deceased, who died on 24 December 1997, are required by the current executors, Peter Kinderman and Harry Robert Kinderman (also known as Robert Kinderman), to send particulars of such claims to the executors, care of the undermentioned solicitors, within 60 days from the publication hereof, after which date the executors will distribute the assets, having regard only to the claims of which the executors have notice.

KCL LAW,
Level 4, 555 Lonsdale Street, Melbourne 3000.

Re: JOSEPHINE SULTANA, also known as Joyce Sultana, late of 31 Trickey Avenue, Sydenham, Victoria, deceased.

Creditors, next-of-kin and others having claims in respect of the estate of the deceased, who died on 19 July 2018, are required by the trustee, Equity Trustees Wealth Services Limited, ACN 006 132 332, in the Will called Sandhurst Trustees Limited, of Level 1, 575 Bourke Street, Melbourne, Victoria, to send particulars to the trustee, care of the undermentioned solicitors, by 6 May 2019, after which date the trustee may convey or distribute the assets, having regard only to the claims of which the trustee then has notice.

McKEAN PARK LAWYERS,
Level 11, 575 Bourke Street, Melbourne,
Victoria 3000.

ALLAN LESLIE CAPUANO, late of 12 Bowen Street, St Arnaud, Victoria 3478, telecommunications technician, deceased.

Creditors, next-of-kin and others having claims in respect of the Will of the abovenamed deceased, who died on 22 May 2018, are required by the executor, Scott Anthony Capuano, care of the undermentioned solicitor, to send particulars of their claims to him by 30 June 2019, after which date the executor may convey or distribute the assets, having regard only to the claims of which he then has notice.

MCL LEGAL,
78 Napier Street, St Arnaud, Victoria 3478.

KATHLEEN HELEN McNICOL, late of 1159 Old Boort Road, Wedderburn, Victoria 3518, retired business proprietor, deceased.

Creditors, next-of-kin and others having claims in respect of the Will of the abovenamed deceased, who died on 26 August 2018, are required by the executors, Ellen Kaye McNicol and Ian James McNicol, care of the undermentioned solicitor, to send particulars of their claims to them by 28 June 2019, after which date the executors may convey or distribute the assets, having regard only to the claims of which they then have notice.

MCL LEGAL,
78 Napier Street, St Arnaud, Victoria 3478.

Re: MANFRED JOSEF CHLUPAC, deceased.

Creditors, next-of-kin and others having claims in respect of the estate of the deceased, who died on 22 October 2018, are required by the trustees, Michael Peter Vosmansky and Martin Gunter Chlupac, to send particulars to their solicitors at the address below, by 14 May 2019, after which date the trustee may convey or distribute the assets, having regard only to the claims of which the trustee has notice.

MST LAWYERS,
315 Ferntree Gully Road, Mount Waverley 3149.

Re: BERYL AGNES LISTON, late of 108 Lascelles Street, Hopetoun, Victoria, deceased.

Creditors, next-of-kin and others having claims in respect of the estate of the deceased,

who died on 18 August 2018, are required by the executors, care of the undermentioned solicitors, to send particulars to them by 17 May 2019, after which date the executors may convey or distribute the assets, having regard only to the claims of which they then have notice.

MADGWICKS LAWYERS,
Level 6, 140 William Street, Melbourne,
Victoria 3000.

Re: FRANCIS JOHN LISTON late of 108 Lascelles Street, Hopetoun, Victoria, deceased.

Creditors, next-of-kin and others having claims in respect of the estate of the deceased, who died on 28 March 2007, are required by the executors, care of the undermentioned solicitors, to send particulars to them by 17 May 2019, after which date the executors may convey or distribute the assets, having regard only to the claims of which they then have notice.

MADGWICKS LAWYERS,
Level 6, 140 William Street, Melbourne,
Victoria 3000.

Re: Estate of MARY JOSEPHINE WILDEN, late of 745 Malvern Road, Toorak, deceased.

Creditors, next-of-kin and others having claims in respect of the estate of the deceased, who died on 3 January 2019, are required by the trustees to send particulars to the trustees, care of the undermentioned solicitors, by 14 June 2019, after which date the trustees may convey or distribute the assets, having regard only to the claims of which the trustees then have notice.

MAHONS with Yuncken & Yuncken, solicitors,
177 Surrey Road, Blackburn 3130.
SM:CH2190024.

CORNELIS JOHANNES ANTONIUS SCHELLEKENS, late of 87 Normanby Drive, Greenvale, Victoria, spare parts representative, deceased.

Creditors, next-of-kin and others having claims in respect of the estate of the abovenamed deceased, who died on 28 November 2018, are required by the executor, Johanna Louise Frena Nijenhuis, to send particulars to the executor, care of Marsh & Maher Richmond Bennison of

Level 2, 100 Wellington Parade, East Melbourne, Victoria, by 15 May 2019, after which date the executor intends to convey or distribute the assets of the estate, having regard only to the claims of which the executor may have notice.

MARSH & MAHER RICHMOND BENNISON,
solicitors,
Level 2, 100 Wellington Parade,
East Melbourne, Victoria 3002.

Re: RHETT BOSNICH, late of 1/4 Marara Road, Caulfield, Victoria.

Creditors, next-of-kin and others having claims in respect of the estate of the deceased, who died on 30 June 2017, are required by the administrator, Joseph Bosnich, to send particulars of such claims to them, at the undermentioned address, by 18 May 2019, after which date they may convey or distribute the assets, having regard only to the claims of which they then have notice.

Joseph Bosnich,
care of MAURICE BLACKBURN LAWYERS,
Level 21, 380 La Trobe Street, Melbourne 3000.
Tel: (03) 9605 2700. Ref: NYN/5406772.

Re: BAN CHUAN KOH, deceased.

Creditors, next-of-kin and others having claims in respect of the estate of the deceased, who died on 28 February 2018, are required by the legal representative, Jennifer Anne Dixon, to send particulars to the legal representative, care of Moores, Level 1, 5 Burwood Road, Hawthorn, Victoria, by 14 May 2019, after which date the legal representative may convey or distribute the assets, having regard only to the claims of which the legal representative has notice.

MOORES,
Level 1, 5 Burwood Road, Hawthorn,
Victoria 3122.

Re: Estate of ROSINA EILEEN CRIMMINS, late of Mercy Place, 22 Verona Lane, East Melbourne, Victoria 3002.

Creditors, next-of-kin and others having claims in respect of the estate of the deceased, who died 18 December 2016, are required by the executor of the estate, Timothy Hoare, to send particulars of their claims to him, care of

the undermentioned solicitors, by 14 May 2019, after which date the executor may convey or distribute the assets, having regard only to the claims of which he then has notice.

PARKE LAWYERS,
8 Market Street, Ringwood, Victoria 3134.

FRANCES HALEY, late of 9 Gwendoline Avenue, Bentleigh, Victoria, deceased.

Creditors, next-of-kin and others having claims in respect of the Will/estate of the abovenamed deceased, who died on 19 November 2018, are required by the executor, Paul Stuart Haley, care of Prior Law, barristers, solicitors and notary public, 701 Centre Road, Bentleigh, Victoria 3165, to send particulars of their claims to him by 13 May 2019, after which date the executor may convey or distribute the assets and distribute the estate, having only regard to the claims of which it then has notice. Probate was granted in Victoria on 4 February 2019.

Dated 14 March 2019

PRIOR LAW, barristers, solicitors and notary public,
701 Centre Road, Bentleigh, Victoria 3165.
Contact: Rosemary Clare Prior.

MARY BARBARA WEIDNER, late of 11 Walpole Street, Mount Martha, Victoria, deceased.

Creditors, next-of-kin and others having claims in respect of the estate of the deceased, who died on 23 November 2018, are required by the executor to send particulars to him, care of the undermentioned solicitors, by 20 May 2019, after which date the executor may convey or distribute the assets, having regard only to the claims of which he then has notice.

STIDSTON WARREN LAWYERS,
Suite 1, 10 Blamey Place, Mornington 3931.

Re: MARY JOSEPHINE CONLAN, late of 25 Whites Road, Warrnambool, Victoria 3280, deceased.

Creditors, next-of-kin and others having claims in respect of the estate of the deceased, who died on 13 April 2018, are required by the executor and trustee, Julie Mary Egan, to send particulars to her, care of the undermentioned solicitors, by 14 May 2019, after which date she may convey or distribute the assets, having regard only to the claims of which she then has notice.

TAITS LEGAL,
121 Kepler Street, Warrnambool 3280.

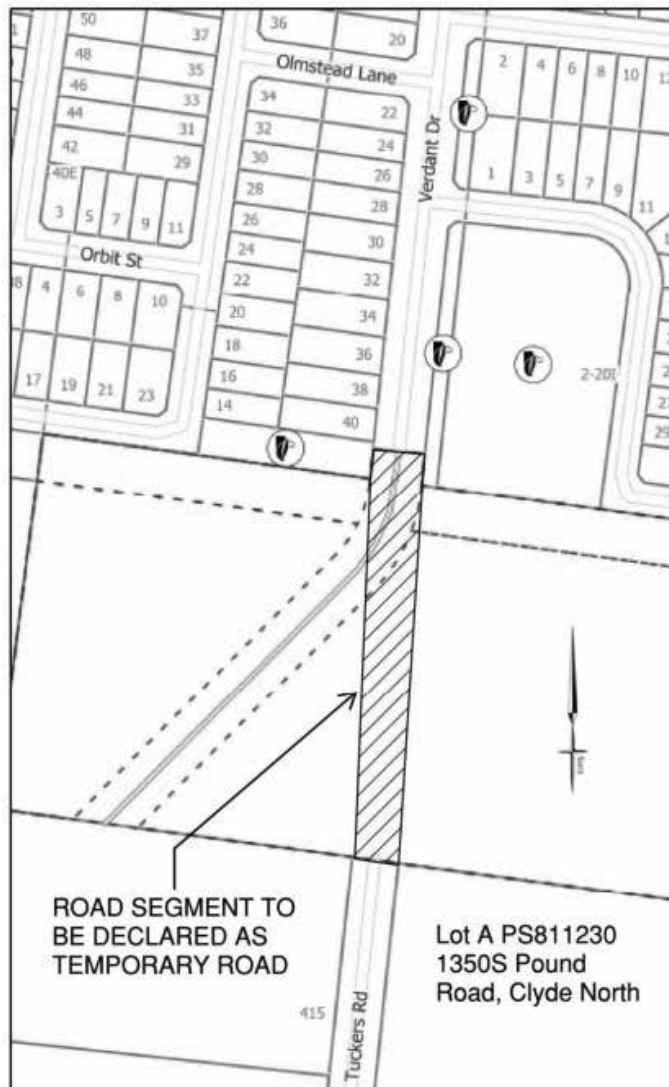
**GOVERNMENT AND OUTER BUDGET
SECTOR AGENCIES NOTICES**

CITY OF CASEY

Declaration of a Temporary Road

Pursuant to section 9 Schedule 10 of the **Local Government Act 1989** No. 11 (the Act), the City of Casey declares that portion of Lot A PS811230 known as 1350S Pound Road, Clyde North 3978, as shown hatched and indicated TEMPORARY ROAD on the plan below, to be declared as Road for the purpose of the Act.

The Temporary Road connection will operate for a period of up to 12 months for the purpose of public access and emergency response until alternative network connections are in place; at which time the temporary connection will be closed and removed from Council’s Public Road Register.



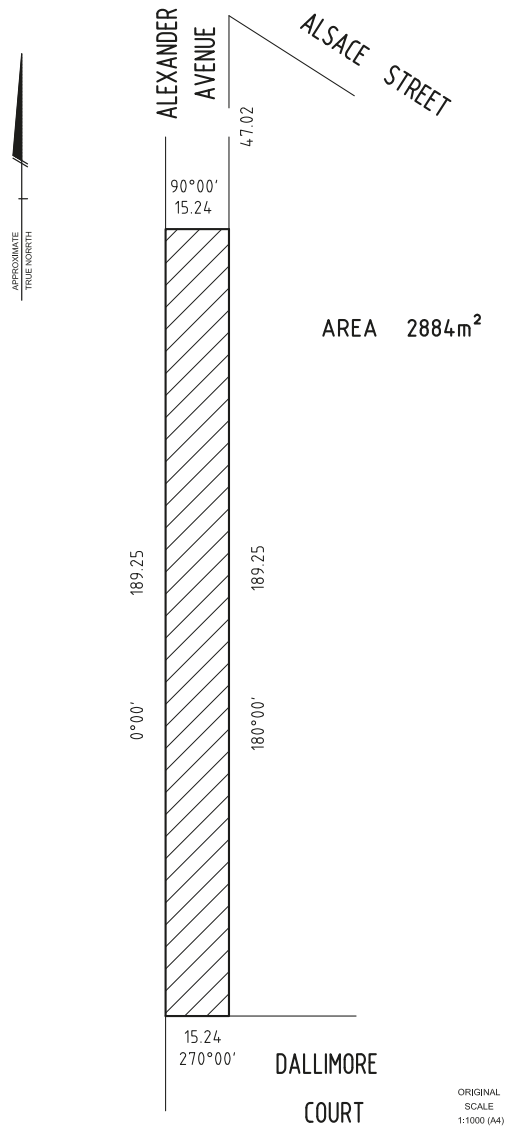
DAVID RICHARDSON
Manager City Presentation

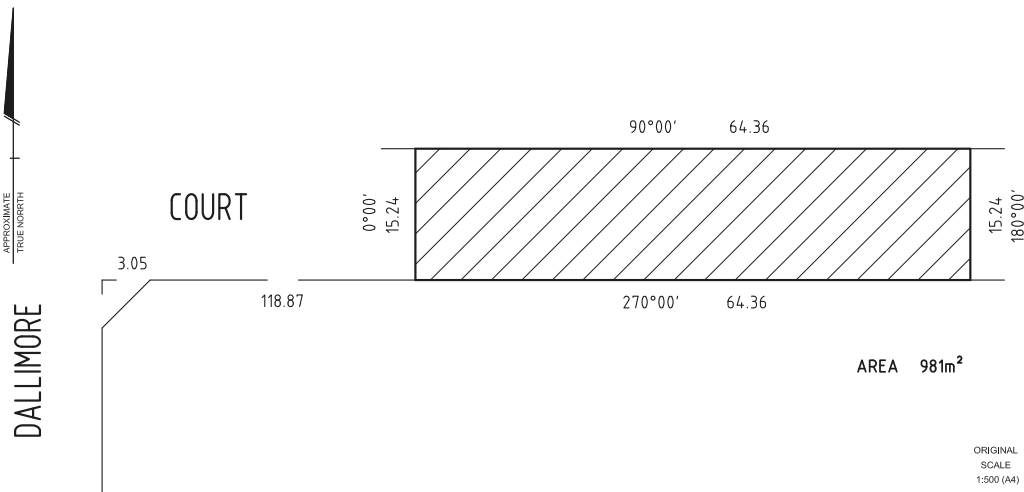
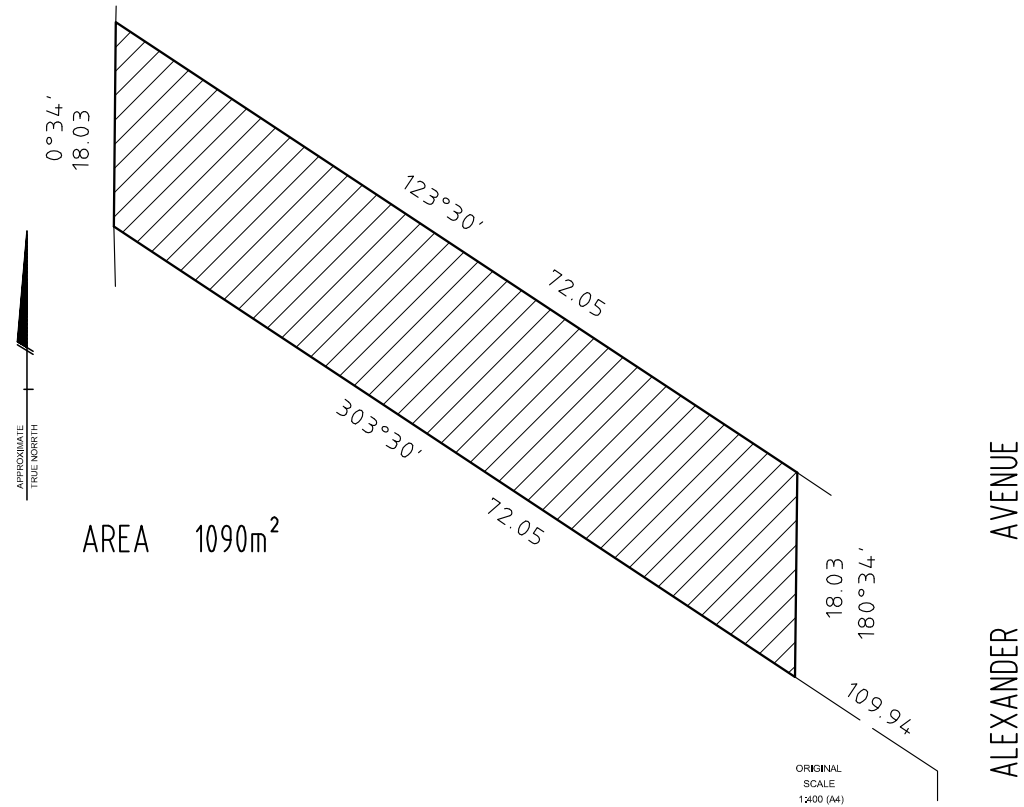


ROAD DISCONTINUANCE

Pursuant to section 206 and Schedule 10, Clause 3 of the **Local Government Act 1989**, the Greater Dandenong City Council, at its ordinary meeting held on 29 January 2018, formed the opinion that part of Pyke Street, part of Alexander Avenue and part of Dallimore Court, Dandenong, shown hatched on the plans below (Land), are not reasonably required as roads for public use and as such Council resolved to discontinue the roads and to retain them as part of Fotheringham Reserve.

The Land is to be retained subject to any right, power or interest held by a public authority in the Land in connection with any sewers, drains, pipes, wires or cables under the control of the authority in or near the Land.





JOHN BENNIE PSM
Chief Executive Officer

MELBOURNE CITY COUNCIL

Road Discontinuance

Pursuant to section 206(1) and Clause 3 of Schedule 10 of the **Local Government Act 1989**, the Melbourne City Council (Council) declares the portion of road, known as parts of Adderley Street and Hawke Street, West Melbourne, defined by Crown Allotment 2037 on OP124645, discontinued. The affected area is intended to be reserved under the **Crown Land (Reserves) Act 1978** and the Council appointed as the committee of management.



**MORNINGTON
PENINSULA**
Shire

The Mornington Peninsula Shire has developed the Draft Sorrento Coastal Management Plan. The draft Plan has been prepared to guide future planning and management and use and development of the Sorrento Foreshore Reserve.

The draft Plan outlines strategies for the foreshore on the following themes:

- Natural systems;
- Cultural heritage;
- Recreation;
- Safe access and use;
- Infrastructure and buildings;
- Climate change operations;
- Commercial operations, tourism and events;
- Community awareness and involvement; and
- Monitoring and review.

A copy of the draft Plan can be obtained on the 'Have your say' section of the Mornington Peninsula Shire's website.

Submissions on the draft Plan can be made to the Mornington Peninsula Shire until 15 April 2019.

Planning and Environment Act 1987

BAYSIDE PLANNING SCHEME

Notice of the Preparation of an Amendment
Amendment C161

The Bayside City Council has prepared Amendment C161 to the Bayside Planning Scheme.

The land affected by the Amendment is:

- 15 Wright Street, Brighton
- 14 and 16 Chelsea Street, Brighton
- 31 Service Street, Hampton
- 33 Service Street, Hampton
- Land behind 305 Hampton Street, Hampton
- 2A Seaview Avenue, Brighton
- 15A Linacre Road, Hampton
- 15 Beach Road, Hampton
- 2/91 Martin Street, Brighton
- 3/91 Martin Street, Brighton
- 69 North Road, Brighton
- 1A Murphy Street, Brighton
- 2 Cambridge Street, Brighton East
- 41 Black Street, Brighton
- 25 Male Street, Brighton
- 60 Carpenter Street, Brighton
- 10 Railway Walk, Hampton
- Municipal Recreation Reserves:
 - Brighton Recreation Centre
 - Highett Recreation Centre
 - Highett Tennis Club
 - Moorabbin West Oval
 - Sandringham Athletic Centre.

The Amendment proposes to implement various corrections to the mapping of zones and overlays, wording that is inconsistent with current zoning and spelling errors in order to resolve anomalies in the Bayside Planning Scheme.

The Amendment applies the recommendations identified in the review of the incorporated document Temporary Advertising Signs on Recreation Reserves Policy. It updates outdated reserve names and adds additional Council-owned recreation reserves omitted from the policy.

You may inspect the Amendment, any documents that support the Amendment and the explanatory report about the Amendment, free of charge, at the following locations: during office hours, at the office of the planning authority, Bayside City Council, 76 Royal Avenue, Sandringham, Victoria 3191; and at the Department of Environment, Land, Water and Planning website, www.delwp.vic.gov.au/public-inspection

Any person who may be affected by the Amendment may make a submission to the planning authority about the Amendment. Submissions must be made in writing giving the submitter's name and contact address, clearly stating the grounds on which the Amendment is supported or opposed and indicating what changes (if any) the submitter wishes to make.

Name and contact details of submitters are required for Council to consider submissions and to notify such persons of the opportunity to attend Council meetings and any public hearing held to consider submissions.

The closing date for submissions is Monday 15 April 2019. A submission must be sent to the following: Bayside City Council, PO Box 27, Sandringham, Victoria 3191; or a submission may be emailed to: planningstrategy@bayside.vic.gov.au (please include 'Amendment C161' in the email title/subject line).

The planning authority must make a copy of every submission available at its office for any person to inspect, free of charge, for two months after the Amendment comes into operation or lapses.

JULIANA AYA
Manager Urban Strategy

Planning and Environment Act 1987

FRANKSTON PLANNING SCHEME

Notice of the Preparation of an Amendment Amendment C127

The Frankston City Council has prepared Amendment C127 to the Frankston Planning Scheme.

All land within the Frankston municipality is affected by the Amendment.

The Amendment proposes to introduce public open space contribution rates to all non-exempt subdivisions.

You may inspect the Amendment, any documents that support the Amendment and the explanatory report about the Amendment, free of charge, at the following locations: during office hours, at the office of the planning authority, Frankston City Council, at 30 Davey Street, Frankston 3199; and at the Department of Environment, Land, Water and Planning website, www.delwp.vic.gov.au/public-inspection

Any person who may be affected by the Amendment may make a submission to the planning authority about the Amendment. Submissions must be made in writing giving the submitter's name and contact address, clearly stating the grounds on which the Amendment is supported or opposed and indicating what changes (if any) the submitter wishes to make.

Name and contact details of submitters are required for Council to consider submissions and to notify such persons of the opportunity to attend Council meetings and any public hearing held to consider submissions. The closing date for submissions is Monday 15 April 2019. A submission must be sent to the Frankston City Council at 30 Davey Street, Frankston 3199, or emailed to info@frankston.vic.gov.au

The planning authority must make a copy of every submission available at its office for any person to inspect, free of charge, for two months after the Amendment comes into operation or lapses.

MICHAEL PAPAGEORGIU
Manager Planning and Environment

Creditors, next-of-kin and others having claims against the estate of any of the undermentioned deceased persons are required to send particulars of their claims to State Trustees Limited, ABN 68 064 593 148, of 1 McNab Avenue, Footscray, Victoria 3011, the personal representative, on or before 16 May 2019, after which date State Trustees Limited may convey or distribute the assets, having regard only to the claims of which State Trustees Limited then has notice.

ANDREWS, Dawn Irene, late of Brooklea Lodge, 355 Springvale Road, Donvale, Victoria 3111, pensioner, deceased, who died on 18 December 2018.

AQUILINA, Margaret Wendy, late of 63 Village Avenue, Taylors Lakes, Victoria 3038, deceased, who died on 3 August 2018.

BOND, Robert Reuben Whinton, late of The Coppin Centre, 45 Moubay Street, Melbourne, Victoria 3004, retired, deceased, who died on 24 October 2018.

CHIPMAN, Doreen Alice, late of Amaroo Gardens Aged Care, 811 Burwood Highway, Ferntree Gully, Victoria 3156, retired, deceased, who died on 8 December 2018.

- DROUGAS, Dimitrios, late of Estia Health Oakleigh East, 23a Elizabeth Street, Oakleigh East, Victoria 3166, deceased, who died on 16 January 2019.
- DRUGI, Pjetros, late of Spencer Street, Docklands, Victoria 3005, deceased, who died on 7 November 2018.
- FAGAN, Alan James, late of Mercy Place Fernhill, 18–22 Fernhill Road, Sandringham, Victoria 3191, retired, deceased, who died on 8 January 2019.
- GEBHARDT, Ellen Margaret, late of Royal Freemasons Springtime Aged Care, 41 Manchester Drive, Sydenham, Victoria 3037, deceased, who died on 6 March 2018.
- GUASCOINE, Braydon John, late of Hopkins Correctional Centre, 132 Warrack Road, Ararat, Victoria 3377, pensioner, deceased, who died on 1 December 2018.
- HANLON, Joan, late of St Bernadettes Aged Care Facility, 17 Park Drive, Sunshine North, Victoria 3020, deceased, who died on 22 September 2018.
- HAYMES, Dolcie Elizabeth Jane, late of 201 Stawell Street North, Ballarat East, Victoria 3350, deceased, who died on 3 June 2007.
- MAY, Phillip Spencer, late of Unit 8, 357 Stud Road, Wantirna South, Victoria 3152, deceased, who died on 7 November 2018.
- MCGINNES, Robert, late of Kyabram Regional Clinic, 98 Fenaughty Street, Kyabram, Victoria 3620, deceased, who died on 11 October 2018.
- McMOORE, William, late of Blue Cross – The Boulevard, 70 Heaths Road, Mill Park, Victoria 3082, pensioner, deceased, who died on 23 February 2017.
- PARKER, Nancy Jean, late of 4 Sherrin Street, Morwell, Victoria 3840, retired, deceased, who died on 10 November 2018.
- SPARROW, Michael James, late of Unit 1A, 160 Gertrude Street, Fitzroy, Victoria 3065, deceased, who died on 26 October 2018.
- Dated 7 March 2019

Cemeteries and Crematoria Act 2003

SECTION 41(1)

Notice of Approval of Cemetery Trust Fees and Charges

I, Bryan Crampton, as Delegate of the Secretary to the Department of Health and Human Services for the purposes of section 40(2) of the **Cemeteries and Crematoria Act 2003**, give notice that I have approved the scales of fees and charges fixed by the following cemetery trust.

The approved scales of fees and charges will take effect from the date of publication of this notice in the Victoria Government Gazette and will be published on the internet.

The fees will be published on the internet at <http://www.health.vic.gov.au/cemeteries>
The Lake Rowan Cemetery Trust

Dated 25 February 2019

BRYAN CRAMPTON
Manager
Cemetery Sector Governance Support Program

Electoral Act 2002

APPLICATION TO CHANGE A REGISTERED POLITICAL PARTY'S LOGO

In accordance with section 49 of the **Electoral Act 2002** (the Act), I hereby give notice of the following application to change the logo of a registered political party.

Current name of party: Sustainable Australia (VIC).

Current Logo:



Proposed Logo:



The application is signed by the Secretary of the party.

Any person who believes that the party's logo should not be changed because the proposed logo is not allowable under section 47A of the Act may object by writing to the Victorian Electoral Commission, Level 11, 530 Collins Street, Melbourne, Victoria 3000, by Monday 15 April 2019.

Details of any objections will be made available to the applicant.

Enquiries to: Katrina Collins on telephone 8620 1145.

Dated 14 March 2019

WARWICK GATELY, AM
Victorian Electoral Commission

Health Services Act 1988

HEALTH PURCHASING VICTORIA

Purchasing Policy

Patient Food Preparation and Distribution

Notice of a Purchasing Policy Exemption

Overview

On 29 November 2007, Health Purchasing Victoria ('HPV') published a purchasing policy ('the Policy') in the Government Gazette requiring that each health service named in the policy obtain its pre-prepared patient food from one of two Central Production Units ('CPUs') at Austin Health and Southern Health.

Pursuant to section 134A of the **Health Services Act 1988** (Vic.), and in accordance with section 9 of the Policy, HPV now grants exemption to Western Health for the purpose of purchasing pre-prepared frozen meals supplied into the Joan Kirner Women's and Children's Hospital. This exemption becomes effective from the date of publication in the Government Gazette and ceases on 30 April 2022.

Land Acquisition and Compensation Act 1986

FORM 7

S. 21(a)

Reg. 16

Notice of Acquisition

Compulsory Acquisition of Interest in Land

The Minister for the Crown administering the **Education and Training Reform Act 2006** ('Minister') declares that by this notice the Minister acquires the following interest in the part of the land described as Lot D on Plan of Subdivision PS721459C being the land described in Certificate of Title Volume 11620 Folio 381 designated as ACQ1 on the survey plan marked Acquisition Plan 1.

Interests Acquired: That of Paul Di Natale and Francesca Di Natale and all other interests.

Published with the authority of the Minister.

Dated 14 March 2019

For and on behalf of the Minister
Signed NICOLE POPE
Manager, Property Unit

Land Acquisition and Compensation Act 1986

FORM 7

S. 21(a)
Reg. 16

Notice of Acquisition

Compulsory Acquisition of Interest in Land

The Minister for the Crown administering the **Education and Training Reform Act 2006** ('Minister') declares that by this notice the Minister acquires the following interest in the part of the land described as Lot 1 on Plan of Subdivision PS442992M being the land previously described in Certificate of Title Volume 10587 Folio 943 (now Volume 12035 Folio 726) designated as ACQ2 on the survey plan marked Acquisition Plan 2.

Interests Acquired: That of Jackie Frances Mclean and all other interests.

Published with the authority of the Minister.

Dated 14 March 2019

For and on behalf of the Minister
Signed NICOLE POPE
Manager, Property Unit

Mineral Resources (Sustainable Development) Act 1990EXEMPTION OF LAND FROM AN EXPLORATION, MINING,
RETENTION OR PROSPECTING LICENCE

I, Stephen Arnott, Director Statutory Authorisations, pursuant to section 7 of the **Mineral Resources (Sustainable Development) Act 1990** and under delegation of the Minister for Resources, hereby exempt all that Crown land situated within the boundaries of exploration licence application EL006955 from being subject to a licence under the **Mineral Resources (Sustainable Development) Act 1990**.

Dated 6 March 2019

STEPHEN ARNOTT
Director Statutory Authorisations
Delegate of the Minister

VICTORIA RACING CLUB REGULATIONS 2006

Schedule of Proposed Admission Charges

The Board of Victoria Racing Club Limited has resolved that the following Schedule of Admission Charges applies for the 2019/2020 racing season.

General Admission Fees 2019/2020

Non-Feature Days		18/19	19/20
Standard Saturdays	Full	\$12.00	\$12.00
	Concession	\$7.00	\$7.00
	Student	\$10.00	\$10.00
Feature Days			
Girls Day Out	Full	\$20.00	\$20.00
	Concession	\$10.00	\$10.00
	Student	\$16.00	\$16.00
Turnbull Stakes	Full	\$25.00	\$25.00
	Concession	\$12.00	\$12.00
	Student	\$20.00	\$20.00

Victoria Derby Day	Full	\$83.00	\$83.00
	Concession	\$45.00	\$45.00
	Children	FREE	FREE
	Student	\$67.00	\$67.00
Melbourne Cup Day	Full	\$89.00	\$89.00
	Concession	\$47.00	\$47.00
	Children	FREE	FREE
	Student	\$72.00	\$72.00
Oaks Day	Full	\$60.00	\$60.00
	Concession	\$31.00	\$31.00
	Children	FREE	FREE
	Student	\$52.00	\$52.00
Stakes Day	Full	\$64.00	\$64.00
	Concession	\$32.00	\$32.00
	Family	\$128.00	\$128.00
	Children	FREE	FREE
	Student	\$56.00	\$56.00
New Year's Day	Full	\$15.00	\$15.00
	Concession	\$8.00	\$8.00
	Student	\$12.00	\$12.00
Black Caviar Lightning	Full	\$25.00	\$25.00
	Concession	\$12.00	\$12.00
	Student	\$20.00	\$20.00
Super Saturday	Full	\$25.00	\$25.00
	Concession	\$12.00	\$12.00
	Student	\$20.00	\$20.00
Australian Guineas Day	Full	\$20.00	\$20.00
	Concession	\$10.00	\$10.00
	Student	\$16.00	\$16.00
ANZAC Day	Full	\$15.00	\$15.00
	Concession	\$8.00	\$8.00
	Student	\$12.00	\$12.00

The above Schedule will come into operation on 1 August 2019.

NEIL WILSON
Chief Executive Officer

Planning and Environment Act 1987
GREATER DANDENONG PLANNING SCHEME
WHITTLESEA PLANNING SCHEME
YARRA RANGES PLANNING SCHEME
Notice of Approval of Amendment
Amendment GC123

The Minister for Planning has approved Amendment GC123 to the Greater Dandenong, Whittlesea and Yarra Ranges planning schemes.

The Amendment comes into operation on the date this notice is published in the Victoria Government Gazette.

The Amendment facilitates the development of three Kaufland supermarkets and complementary uses at 1–3 Gladstone Road, Dandenong, 592–694 High Street, Epping, and 266–268 Maroondah Highway, Chirnside Park.

A copy of the Amendment can be inspected, free of charge, at the Department of Environment, Land, Water and Planning website at www.planning.vic.gov.au/public-inspection and free of charge, during office hours, at the offices of the Greater Dandenong City Council, 225 Lonsdale Street, Dandenong; Whittlesea City Council, 25 Ferres Boulevard, South Morang; and Yarra Ranges Shire Council, 15 Anderson Street, Lilydale.

STUART MENZIES
Director
State Planning Services
Department of Environment, Land, Water and Planning

Planning and Environment Act 1987
MACEDON RANGES PLANNING SCHEME
Notice of Approval of Amendment
Amendment C128macr

The Minister for Planning has approved Amendment C128macr to the Macedon Ranges Planning Scheme.

The Amendment comes into operation on the date this notice is published in the Victoria Government Gazette.

The Amendment amends the Schedule to Clause 52.32 so that part Crown Allotment 10E Parish of Macedon and part Crown Allotment 41A Parish of Woodend, Finger Post Road, Bullengarook, is not prohibited for the use and development of a wind energy facility.

A copy of the Amendment can be inspected, free of charge, at the Department of Environment, Land, Water and Planning website at www.planning.vic.gov.au/public-inspection and free of charge, during office hours, at the offices of the Macedon Ranges Shire Council, Gisborne Administration Centre, 40 Robertson Street, Gisborne.

STUART MENZIES
Director
State Planning Services
Department of Environment, Land, Water and Planning

Planning and Environment Act 1987

YARRA PLANNING SCHEME

Notice of Approval of Amendment

Amendment C261yara

The Minister for Planning has approved Amendment C261yara to the Yarra Planning Scheme.

The Amendment comes into operation on the date this notice is published in the Victoria Government Gazette.

The Amendment updates the Schedule to Clause 43.01 of the Yarra Planning Scheme to introduce a Heritage Overlay to 13 properties on an interim basis and updates the Schedule to Clause 72.04 Documents Incorporated in this Planning Scheme and makes minor corrections to the Heritage Overlay and mapping.

A copy of the Amendment can be inspected, free of charge, at the Department of Environment, Land, Water and Planning website at www.planning.vic.gov.au/public-inspection and free of charge, during office hours, at the offices of the Yarra City Council, Richmond Town Hall, 333 Bridge Road, Richmond.

STUART MENZIES

Director

State Planning Services

Department of Environment, Land, Water and Planning

Planning and Environment Act 1987

YARRA PLANNING SCHEME

Notice of Approval of Amendment

Amendment C262yara

The Minister for Planning has approved Amendment C262yara to the Yarra Planning Scheme.

The Amendment comes into operation on the date this notice is published in the Victoria Government Gazette.

The Amendment extends the expiry date of the interim Design and Development Overlay – Schedule 16 (DDO16) applying to the western end of Queens Parade, Fitzroy North, until 12 January 2020.

A copy of the Amendment can be inspected, free of charge, at the Department of Environment, Land, Water and Planning website at www.planning.vic.gov.au/public-inspection and free of charge, during office hours, at the offices of the Yarra City Council, Richmond Town Hall (Town Planning counter), 333 Bridge Road, Richmond.

STUART MENZIES

Director

State Planning Services

Department of Environment, Land, Water and Planning

Planning and Environment Act 1987
MAROONDAH PLANNING SCHEME
Notice of Lapsing of Amendment
Amendment C108

The Maroondah City Council has resolved to abandon Amendment C108 to the Maroondah Planning Scheme.

The Amendment C108 proposed to rezone land within the area known as Wonga Park in Ringwood North from General Residential Zone – Schedule 1 to Neighbourhood Residential Zone – Schedule 3.

The Amendment C108 lapsed on 3 November 2018.

STUART MENZIES
Director
State Planning Services
Department of Environment, Land, Water and Planning

This page was left blank intentionally

This page was left blank intentionally

**SUBORDINATE LEGISLATION ACT 1994
NOTICE THAT STATUTORY RULES ARE
OBTAINABLE**

Notice is hereby given under section 17(3) of the **Subordinate Legislation Act 1994** that the following Statutory Rules were first obtainable from TIMG Bookshop, Level 10, 575 Bourke Street, Melbourne 3000, on the date specified:

14. *Statutory Rule:* Residential
Tenancies
Regulations 2019
Authorising Act: Residential
Tenancies Act 1997
Date first obtainable: 7 March 2019
Code D
15. *Statutory Rule:* Safe Patient Care
(Nurse to Patient
and Midwife to
Patient Ratios)
Amendment
Regulations 2019
Authorising Act: Safe Patient Care
(Nurse to Patient
and Midwife to
Patient Ratios)
Act 2015
Date first obtainable: 7 March 2019
Code A
-

PRICING FOR SPECIAL GAZETTE, PERIODICAL GAZETTE AND VICTORIAN LEGISLATION

Retail price varies according to the number of pages in each Victoria Government Special Gazette, Victoria Government Periodical Gazette and Victorian legislation. The table below sets out the prices that apply.

<i>Price Code</i>	<i>No. of Pages (Including cover and blank pages)</i>	<i>Price*</i>	<i>Price Code</i>	<i>No. of Pages (Including cover and blank pages)</i>	<i>Price*</i>
A	1–16	\$4.22	#Z	1407–1470	\$125.60
B	17–32	\$6.33	#ZA	1471–1536	\$131.56
C	33–48	\$8.65	#ZB	1537–1610	\$136.57
D	49–96	\$13.61	#ZC	1611–1666	\$142.32
E	97–144	\$17.51	#ZD	1667–1730	\$147.70
F	145–192	\$20.78	#ZE	1731–1796	\$153.66
G	193–240	\$23.95	#ZF	1797–1860	\$159.20
H	241–288	\$25.43	#ZG	1861–1926	\$164.42
I	289–352	\$28.70	#ZH	1927–1990	\$170.38
J	353–416	\$33.44	#ZI	1991–2056	\$175.76
K	417–480	\$38.19			
L	481–544	\$44.52			
M	545–608	\$50.90			
N	609–672	\$56.28			
O	673–736	\$63.62			
P	737–800	\$70.10			
#Q	821–886	\$76.22			
#R	887–950	\$81.29			
#S	951–1016	\$86.83			
#T	1017–1080	\$92.21			
#U	1081–1146	\$97.75			
#V	1147–1210	\$103.50			
#W	1211–1276	\$108.88			
#X	1277–1340	\$114.78			
#Y	1341–1406	\$119.95			

* All prices include GST

Printed as two volumes

bluestar  **PRINT**

The *Victoria Government Gazette* is published by Blue Star Print with the authority of the Government Printer for the State of Victoria

© State of Victoria 2019

This publication is copyright. No part may be reproduced by any process except in accordance with the provisions of the Copyright Act.

Address all enquiries to the Government Printer for the State of Victoria

Level 2, 1 Macarthur Street
Melbourne 3002
Victoria Australia

How To Order

**Retail &
Mail Sales**

Victoria Government Gazette
Ground Floor, Building 8,
658 Church Street,
Richmond 3121
DX 106 Melbourne



Telephone

(03) 8523 4601



Fax

(03) 9600 0478

email

gazette@bluestargroup.com.au

Recommended Retail Price \$2.30 (includes GST)